

# Soap dispenser

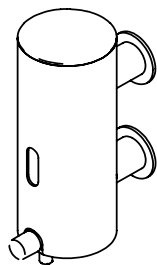
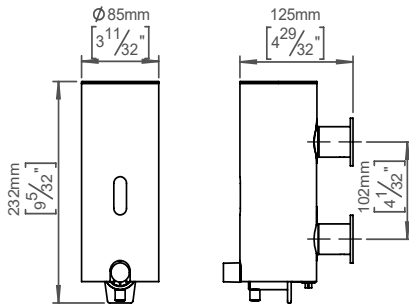
## Knud Holscher collection



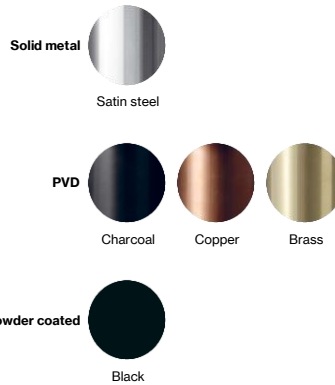
**Product** Ø85, 350ml, w/indicator.

**Tender text** Knud Holscher collection, soap dispenser Ø85mm, 350 ml, with indicator, self-tapping screws included. Manufactured in the highest quality marine grade, AISI 316 stainless steel, protecting against high levels of corrosion. Not for use with ethanol based disinfectants. 20-year warranty.

**Product specification** Dimensions: 85x210x143mm  
 Material: stainless steel AISI 316  
 Surface finish: satin grain 320, crafted by hand  
 Viscosity: 70-100 cP.  
[20-year warranty \(5 years for coated items\)](#)



### Available finishes



**Spare parts/accessories** 14704526001 - Soap Container f/Ø85  
 14710000000 - spare key f/soap dispenser

**Mounting** <https://dline.com/mounting-instructions/>

**Product care**  
 d line products are produced in the highest quality marine grade AISI 316 stainless steel. To sustain the unique d line finish please follow the below instructions:

- Wash down the surfaces using soapy water or mild detergent
- Always thoroughly rinse off with clean water
- To complete the cleaning procedure dry/polish the surface with a soft dry cloth

Please do not use scouring powder, steel wool, chloride based detergents or other aggressive cleaning products as these may damage the surface.  
 If spots or corrosion appear on the surface it is not due to the stainless steel quality, but to impurities in the environment, aggressive conditions or improper or insufficient cleaning.