

TABLETOP SOAP DISPENSER WP195



Ø 60 x 420 x 131 mm

stainless steel

- Tabletop soap dispenser in robust, germ-reducing and easy-care stainless steel (AISI 316L).
- Solid stainless steel body; visible surfaces satin finished. Further available surfaces: see below.
- Design height: 128 mm
Outlet height: 57 mm
Projection: 75 mm
- Non-drip soap pump with 500 ml soap bottle and pressure valve in stainless steel.
- Designed for standard liquid soaps.
- Refillable from above through detachable top part with bayonet lock.
- Wear parts can be replaced as modules.
- Installation dimensions: Ø 21-25 mm, surface thickness max. 40 mm.
- Mounting: With one counternut.
- Delivery includes fixing material.
- Weight, including single package: 0.9 kg



Suggested text for specifications:

Tabletop soap dispenser in stainless steel (AISI 316L) for counter mounting. Solid stainless steel body; visible surfaces satin finished. Non-drip soap pump with 500 ml soap bottle and pressure valve in stainless steel. Designed for standard liquid soaps. Refillable from above through detachable top part with bayonet lock. Delivery includes fixing material.

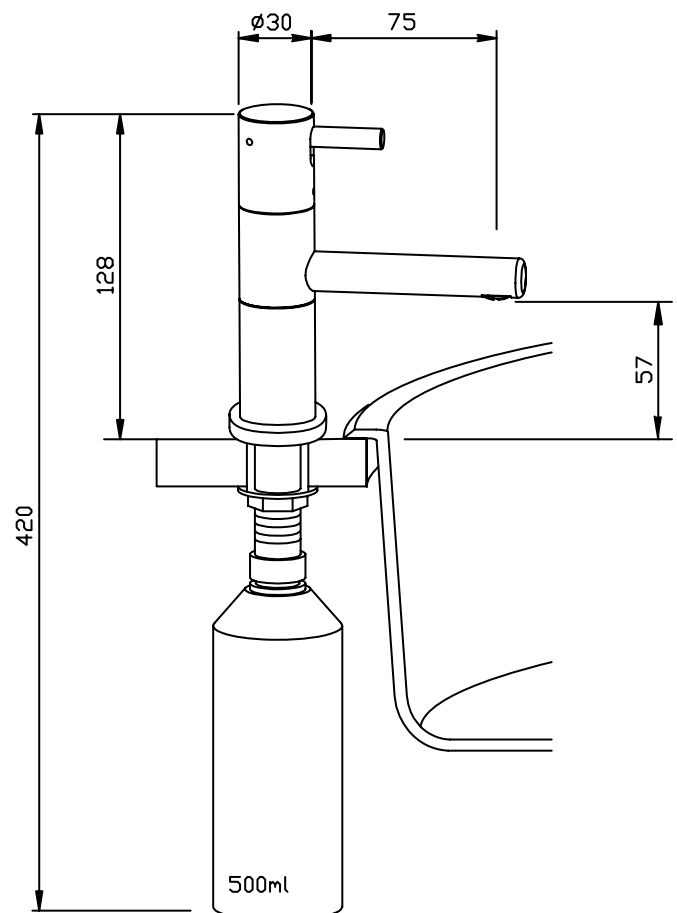
Dimensions: (with container) 60 x 420 x 125 mm

Design height: 128 mm

Outlet height: 57 mm

Projection: 75 mm

Article No. WP195



Available surfaces	ID No.
satin finished (standard)	925 210
highly polished	931 210

Ernst Wagner GmbH & Co. KG

Ernst-Abbe-Straße 21 · D-72770 Reutlingen · Tel.: +49712151539-0 · Fax: -20
info@wagner-ewar.de · www.wagner-ewar.de

WAGNER
EWAR