



PL77MBS

Brushed Stainless 50 Ltr Wastebin with Flap Lid

Product Features:

- Free Standing or Wall Mounted Wastebin
- Equipped with a flap bin lid
- Brushed Stainless Steel
- 304L Grade Stainless Steel / 240g
- Bag Strap For Liner

Manufactured in the UK

This stylish and high quality waste bin will take all general and paper waste in all high traffic and commercial areas.

Equipped with a flap bin lid to make the overall finish look slick and neat whilst helping to stop any odours and viewing any waste. After pushing waste into the bin the flap cleverly swings back into it's original state.

The lid is easily removed to make disposing of waste effortless and making for a better, cleaner environment. Can be easily placed free standing or wall mounted. The unit can either be free standing or wall mountable for extra security.

Made in a quality brushed stainless steel finish.

Product Dimensions:

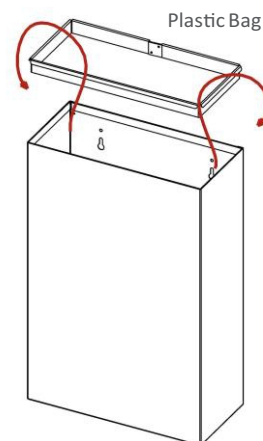
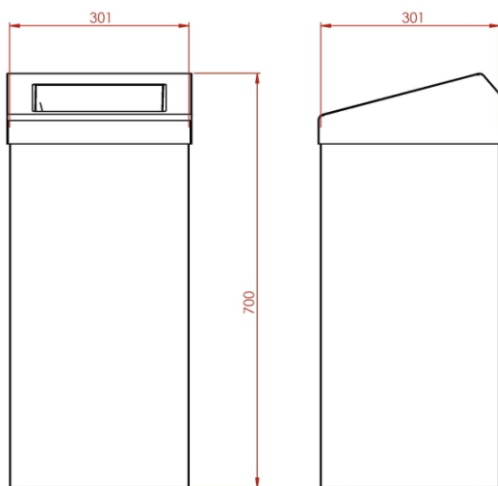


Image of 30ltr for reference to replacing the bag

Height: 700mm Width: 301mm Depth: 301mm Weight: 7.5Kg Capacity: 50 Litre