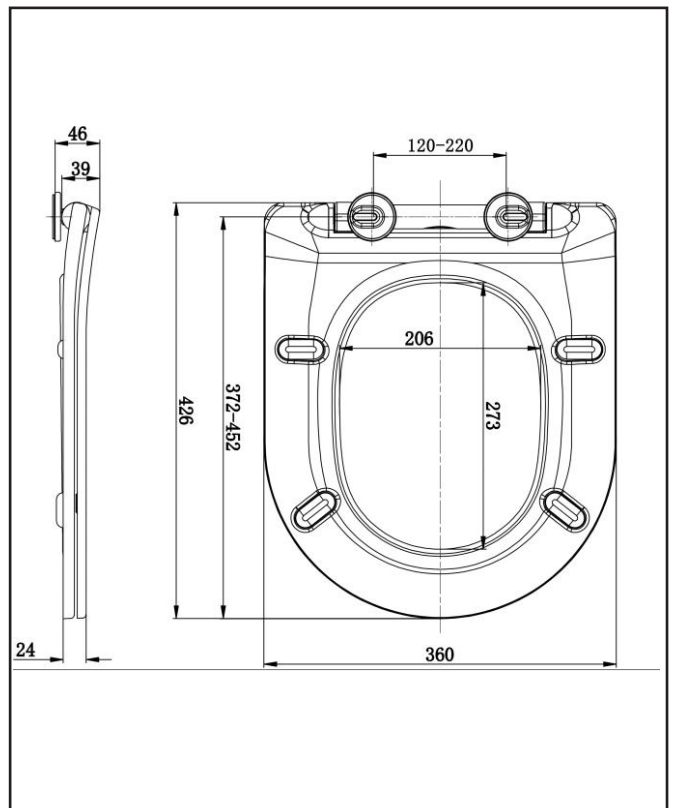


PRODUCT DATA SHEET

Slim Heavy Weight Soft Close Seat

Product Code: 999-SEAT-SLIM

| Product Measurements | |
|-----------------------------|---------------|
| Product Weight: | 2kg |
| Product Width: | 360mm |
| Product Height: | 46mm |
| Product Depth: | 426mm |
| Product Length: | N/A |
| Product Transportation | |
| Barcode: | 5060500643195 |
| Country of Origin: | China |
| Comodity Code: | 3922200000 |
| Primary Packed Measurements | |
| Packaged Weight: | 2.4kg |
| Packaged Length: | 440mm |
| Packaged Width: | 385mm |
| Packaged Height: | 60mm |
| Packaging Weight | |
| Card: | 0.269kg |
| Paper: | N/A |
| Wood: | N/A |
| Plastic: | N/A |
| General Information | |
| Construction Material: | UREA plastic |
| Installation Type: | Top Fix |
| Colour / Finish: | White |
| Toilet Seat Specification | |
| Quick Release: | Yes |
| Soft Close: | Yes |
| Top or Bottom Fix: | Top Fix |
| Shape: | D-Shaped |
| Adjustment: | 120-220mm |
| Compliance DOP | |
| N/A | |



Dimensions
(measurements in mm)