



## TESTING DATA

CUSTOMER: PRESTIGE RADIATORS LTD

DESCRIPTION: Automatic Foam Soap Dispenser

MODEL No.: V-932A

DESIGNED No.: Z19110802.02

PREPARED DATE: 21/10/2021

# 1.Product Appearance



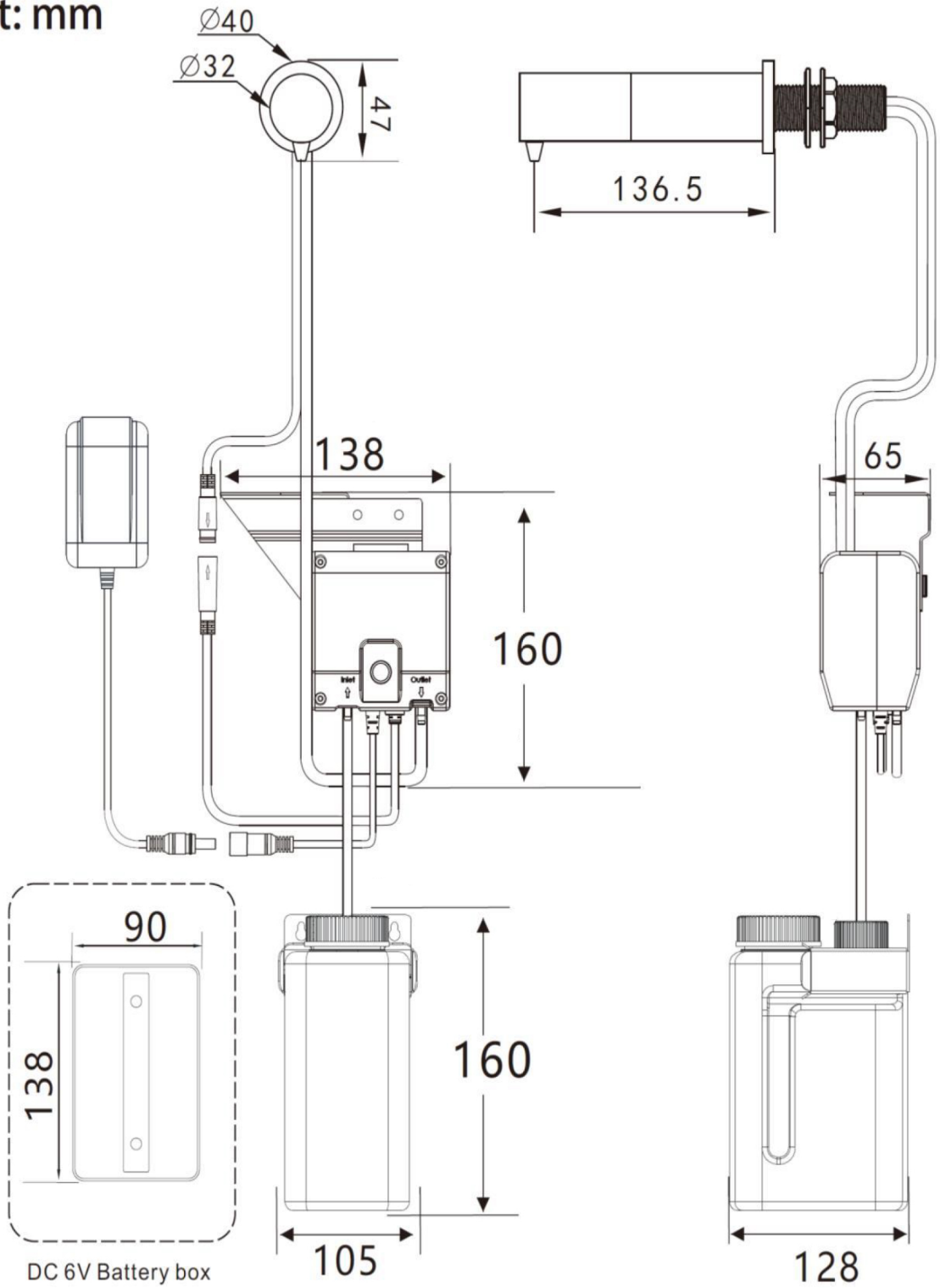
**CNM Online**

T: 01977 663331 E: [cnmservice@cnmonline.co.uk](mailto:cnmservice@cnmonline.co.uk)

Unit 2, North Point Business Park, Selby Road, Eggborough, North Yorkshire, DN14 0JT

## 2.Product Size

Unit: mm



DC 6V Battery box

**CNM Online**

T: 01977 663331 E: [cnmservice@cnmonline.co.uk](mailto:cnmservice@cnmonline.co.uk)

Unit 2, North Point Business Park, Selby Road, Eggborough, North Yorkshire, DN14 0JT

### 3.Product's Technical Parameters

Item	Technical Parameters
Working Voltage	DC6V (DC4.5V-6.5V)
Working Current	350MA<
Standby Power Consumption	≤3W
Energy Consumption of Work	≤5W
Liquid storage bottle Capacity	1 500ML
Sensor Range	5-150MM (adjustable); default 120MM
Amount of Foam for each time	0-38ML(adjustable): default 20±1ML
Ambient Temperature	5-50°C (Do not use outside)
Ambient Humidity	Max.90RH
Apply the Foam	Disposable Foam hand sanitiser (not applicanle to diluted or blended liquids)
Liquid Viscosity	0.1-80mPa.s
Insulation Class	B
The Service Life of the Machine	More than 300,000 times (turn on 2S and turn off 5S as a cycle at room temperature)

**CNM Online**

T: 01977 663331 E: cnmservice@cnmonline.co.uk

Unit 2, North Point Business Park, Selby Road, Eggborough, North Yorkshire, DN14 0JT

## 4. Test Methods

\*Standard test status and power supply

5-1-1 Standard test status:

- (1) Ambient temperature  $20\pm 15\%$
- (2) Relative humidity  $65\pm 20\%$
- (3) Air pressure 1013hPa (0.1mpa)

However, in the case of the judgment of the test results without doubt, it can also be tested at room temperature and humidity (ambient temperature  $20\pm 15\%$ , relative humidity  $65\pm 20\%$ ) within the range of air pressure 860~1060hpa.

\*5-1-2 Standard test circuit:

Standard test power supply, in principle, need to use a fixed frequency sine wave power supply test. However, in the case of unquestionable judgment of the test results, the test can be carried out using a waveform power supply close to the sine wave.

In the case of 50HZ and 60HZ shared or dual use, either frequency can be selected for trial.

\*5-2 Test method.

\*5-2-1 Current test:

Use a multimeter to read the current each time the product works.

\*5-2-2 Power consumption tests:

Let's calculate it in the following way, Foam Soap feeding power consumption (working voltage

\* working current \* working time) =  $6V * 0.35A * 2S = 4.2 W$ .

\*5-2-3 Action test:

Connect the circuit of the whole machine, use 6V voltage supply, continuous induction three times work normally.

\*5-2-4 Test soap/foam quantity:

Connect the circuit of the whole machine, add ordinary soap liquid (soap liquid product) or disposable special foam hand sanitizer (foam product) into the liquid storage bottle, and supply power with 6V voltage regulator. After the soap liquid tube is filled with soap liquid, record the amount of soap liquid/foam each time with a measuring cylinder, and then take the average value.

\*5-2-5 Durability test (Life test):

Connect the circuit of the whole machine, add ordinary soap liquid (soap liquid product) or disposable special foam hand sanitizer (foam product) into the liquid storage bottle, supply power with 6V voltage regulator, use aging rack to test and record the service life of more than 300,000 times.

Test 1 cycle setting

\*ON:2S ; OFF:5S

**CNM Online**

T: 01977 663331 E: cnmservice@cnmonline.co.uk

Unit 2, North Point Business Park, Selby Road, Eggborough, North Yorkshire, DN14 0JT

## 5.Others

\*Precautions for installation and use:

- (1) Correctly connect each connection plug and soap/air hose according to the installation instructions; Pay special attention to the hose connection of the liquid joint, the connection of the gas pipe and the liquid pipe and check its sealing; Do not extrude the connector or hose.
- (2) In order to achieve the best performance and use effect of the product, do not use the liquid that does not meet the standard.
- (3) Due to the use of liquid does not meet the standard or liquid foreign body into the situation, there will be pipe blockage, filter blockage, liquid backflow and even liquid pump failure.
- (4) There is a possibility of ice, to take anti-ice measures.
- (5) Can not be installed in outdoor use.
- (6) Avoid water drops or wet places when installing.
- (7) Do not place flammable objects next to it.
- (8) Don't take it apart.

\*The viscosity of the liquid when used:

- (1)Liquid soap type: 1-3500Mpa.s
- (2) Foam type: 0.1-80Mpa.s

\*The benchmark for batch determination :

Each batch of goods should be checked and accepted, and judged in batches. If judged unqualified in batches, the goods should be returned in principle. In the above batch inspection, if the defective product is not found, mixed with the good product, and then accidentally found in the project, the defective product can be returned to the good product exchange, or the defective product repair.

\*Scope and duration of warranty:

The warranty of this product is: one year after delivery to the place designated by your company. However, if the number of times of operation in one year has reached the durability number recorded in this specification, this period shall be the guarantee period.

\*During the above warranty period, if the fault is caused by the company's responsibility, we can replace the product or provide the parts to be exchanged free of charge. In addition, repairs can be carried out quickly and without charge in our company. However, the following conditions are not covered by the warranty.

- (1) In the conditions recorded in this specification book, outside the scope of the environment
- (2) Misuse caused by careless use or misuse caused by management error.
- (3) The cause of failure is other than the product
- (4) In the case of using the product in a way other than that specified in the specification.
- (5) After the delivery of the products, change the structure, performance and specifications of the products unrelated to the Company and repair the products other than designated by the Company.
- (6) When the product is installed on your company's machine for use, if the performance and structure of your company's machine can avoid the damage recognized by the industry can be avoided, other than this damage.
- (7) Damage caused by technically unforeseen causes at the time of delivery.
- (8) Damage caused by natural disasters or man-made causes other than our company.
- (9) Product accidents caused by abnormal external forces (such as external forces dropped during handling or use after delivery) and storage errors and unpredictable misuse.

\*In addition, the warranty herein refers to a single product, and other damage caused by the failure of the product is not included. The above content is the premise of commercial transaction and use in China.