

PAPER DISPENSERS **GW03 02 04 01 Jumbo INOX 304 paper dispenser**



Product description

Material: AISI 304 Stainless steel
Finish: Brushed
Spool roll type 250/300 m
Content viewer
Safety lock

Technical specifications:

The industrial hygienic paper dispenser is made up of a cover and support that is attachable to a wall. Both the wall mount and the cover, which includes a content viewer, are made in AISI 304 stainless steel with a brushed finish. The rolls are replaced by inserting a key in the slot on the front of the dispenser and turning it 90° in order to lift the cover and access the spool. The core has rubber rings to fix paper roll. The type of paper used is a 250/300 m roll. The dispenser is fixed to the wall by means of screws, with universal wall plugs for brick walls, located on the product's wall mount. The paper dispenser model is GW03 02 04 01, manufactured by GENWEC WASHROOM S.L. - Av. Joan Carles I, 46-48 - ES 08908 L'Hospitalet de Llobregat - Barcelona (Spain). www.genwec.com.

Technical characteristics

Product specifications

Type of material: AISI 304 Stainless steel
Finish: Brushed
Type of paper roll: 250/300 m.
Safety lock
Content viewer

Packaging specifications

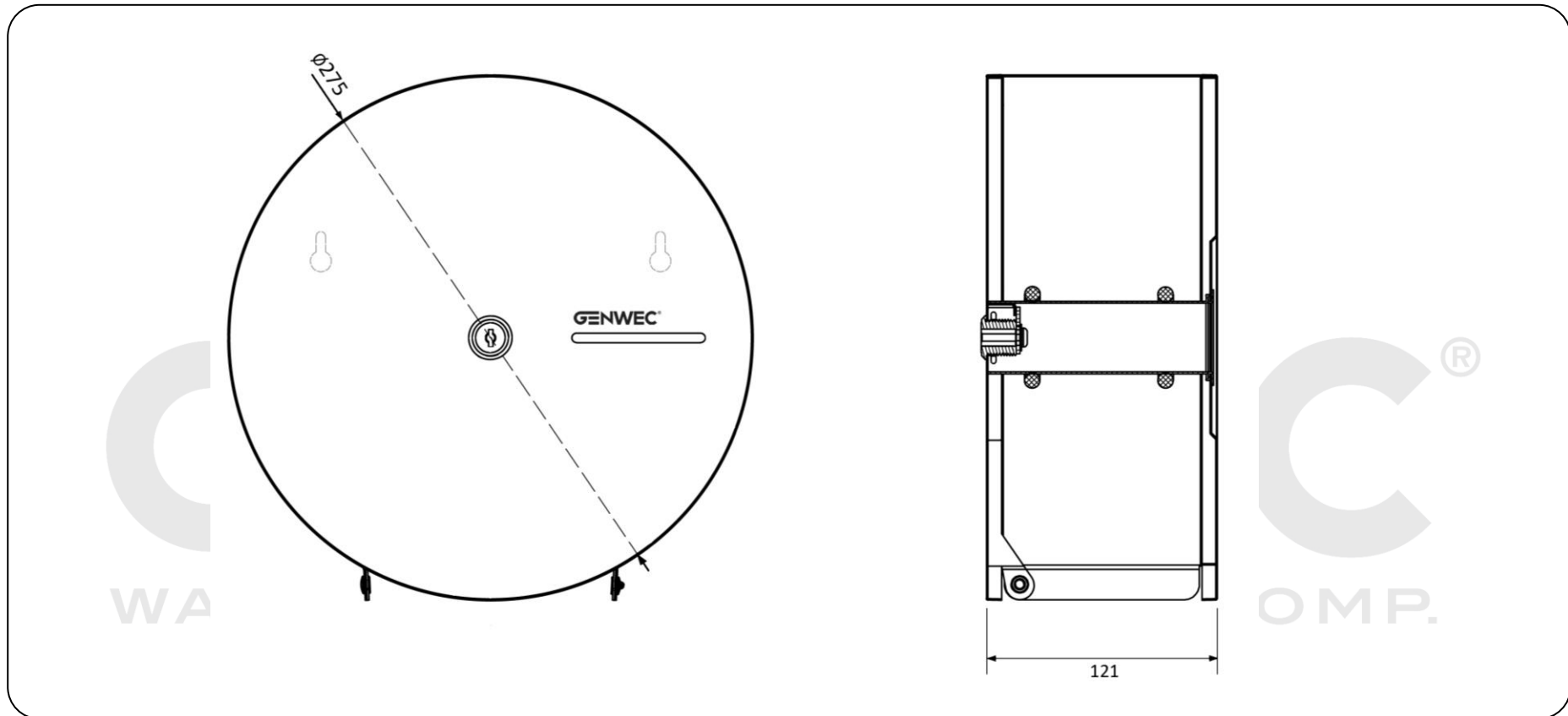
- Type of individual package: Individual cardboard box and Cell Aire wrap.
- Product dimensions: Ø275 x 121 mm

GENWEC WASHROOM S.L. reserves the right to modify and/or rectify the products and their specifications without prior notice

Dimensions: ± 3%

Reviewed by: CSS_V3 (02/2018)

PAPER DISPENSERS **GW03 02 04 01 Jumbo INOX 304 paper dispenser**



Cleaning: A cotton cloth slightly dampened in a soapy solution is recommended. Then dry off. Do not use any strong chemicals or cleaning agents that can be dangerous to children.